

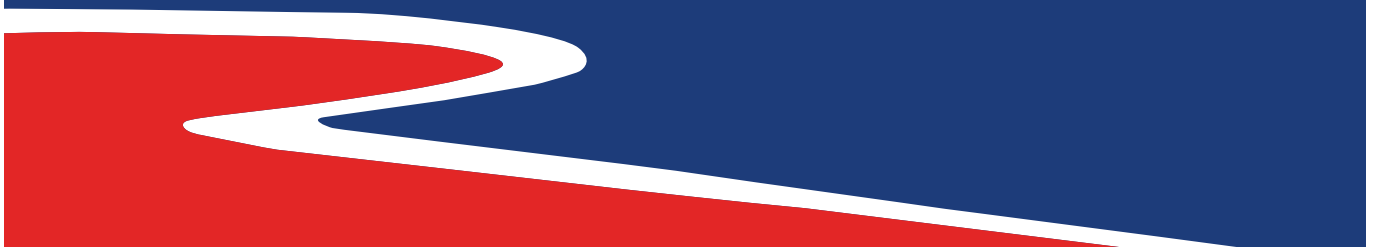


TRUCK & TRAILER PARTS®

TRUSTED. RELIABLE. PROVEN.

ROAD SAFETY SIGNS.

Regulatory & Safety Signage





TRUCK & TRAILER PARTS®

TRUSTED. RELIABLE. PROVEN.

Australia's tough road conditions needs tough signage to survive it. As a safety requirement, it also needs to conform to stringent rules and regulations. Our local knowledge means we understand exactly what's needed and we've built our products to match.



ISO STANDARDS:

- ISO 9001:2015 - Quality management system
- ISO 45001:2018 - WHS management system
- ISO 14001:2015 - Environment management system

LEGAL REQUIREMENTS FOR NATIONAL HEAVY VEHICLE REGULATIONS:

- VSB12 - Rear Marking Plates
- VSG19 - Vehicle Warning Signs
- OSOM - Oversize Overmass Vehicles

AUSTRALIAN STANDARDS:

- AS 1744:2015 - Standard alphabets for road signs
- AS 1906.1:2017 - Retroreflective materials & devices for road traffic purposes Retroreflective sheeting
- AS 4001.1:2017 - Reflective rear marker plates. Classification and manufacturing requirements
- AS 1216 - 2006 - Class Labels for dangerous goods.



TRUSTED. RELIABLE. PROVEN.

CONTENTS

Rear Markers Class 400 (VSB12).....	2-3
Over Dimensional.....	4-5
Dangerous Goods.....	6
Rear Marker Installation Instructions	7-11

REAR MARKERS Class 400 (VSB12)



Do Not Overtake Sign 33L

300mm x 300mm

Decal TRP33L-D

Aluminium TRP33L-A



Do Not Overtake 34A Sign

LHS

300mm x 400mm

Decal TRP34A-D

Aluminium TRP34A-A



Do Not Overtake 34B Sign

RHS

300mm x 400mm

Decal TRP34B-D

Aluminium TRP34B-A



Rear Marker Plate 33 LHS Or RHS

300mm x 300mm

Suits left or right side

Decal TRP33-D

Aluminium TRP33-A



Warning Plate 615A/B LHS & RHS

600mm x 150mm each (sold as pair)

Decal TRP615AB-D

Aluminium TRP615AB-A



Do Not Overtake Sign 33L

300mm x 100mm

Decal TRP31L-D

Aluminium TRP31L-A

REAR MARKERS Class 400 (VSB12)



**Rear Marker Plate 81A/B
LHS & RHS**

800mm x 100mm each (sold as pair)

Decal	TRP81AB-D
Aluminium	TRP81AB-A

**Rear Marker Plate 41A/B
LHS & RHS**

400mm x 100mm each (sold as pair)

Decal	TRP41AB-D
Aluminium	TRP41AB-A

Rear Marker Plate 81C

800mm x 100mm

Decal	TRP81C-D
Aluminium	TRP81C-A



Rear Marker Plate 161

1600mm x 100mm

Decal	TRP161-D
Aluminium	TRP161-A

Rear Marker Installation Instructions

For information on marker selection, combinations and installation, see our detailed instructions on pages 7-11.

OVER DIMENSIONAL



Road Train - 1 Piece Sign

1020mm x 250mm

Decal TRP004-D

Aluminium TRP004-A



Road Train - 2 Piece Sign

1020mm x 250mm

Decal TRP005-D

Aluminium TRP005-A



Road Train - Hinged 2 Piece Sign

1020mm x 250mm

Aluminium TRP005-HA



Road Train - Vinyl Banner Sign

1020mm x 250mm

Banner TRP005-RB



Long Vehicle - 2 Piece Sign

1020mm x 250mm

Decal TRP009-2ED

Aluminium TRP009-2EA



Long Vehicle - Hinged 1 Piece Sign

1020mm x 250mm

Aluminium TRP009-HA



Long Vehicle - Hinged 2 Piece Sign

1020mm x 250mm

Aluminium TRP009-2EHA



Long Vehicle - Vinyl Banner Sign

1020mm x 250mm

Banner TRP009-RB



Road Train / Long Vehicle - Hinged 2 Piece Sign

1020mm x 250mm

Metal TRP010-THM

OVER DIMENSIONAL



Oversize - 2 Piece Sign

1200mm x 450mm

Decal TRP008-D

Aluminium TRP008-A



Oversize - Hinged 2 Piece Sign

1200mm x 450mm

Aluminium TRP008-HA



Oversize - Vinyl Banner Sign

1200mm x 450mm

Banner TRP007-RB



Mesh Flags - Kit of 4 with Bungy Straps

450mm x 450mm

TRP114-K



Mesh Flag on Pole

450mm x 450mm

TRP114-P

DANGEROUS GOODS



**Diamond Booklet Flip Over
- Hazardous Signs**

350mm x 350mm

TRP058-B



TRUCK & TRAILER PARTS®

TRUSTED. RELIABLE. PROVEN.

Rear Marker Installation Instructions

PLATE SELECTION AND COMBINATION - VSB12:

1. DO NOT OVERTAKE TURNING VEHICLE signage:

- Vehicles or combinations with a combined length of 7.5m or more **must be** fitted with “**DO NOT OVERTAKE TURNING VEHICLE**” signage.
- If less than 7.5m do not fit “**DNOTV**” signage.

2. If space permits on the rear of the vehicle:

- Use Category 33 and 34 plates as first choice.
- Use additional strip plates if possible for added visibility.

3. If Category 33 plates are selected:

- Use them in correct configuration with either 31L or 33L plates.
- Use additional strip plates if possible for added visibility.

4. If Category 34 plates are selected:

- Use a 33 plate on the right hand with a 34A plate on the left, or use 34 plates on both sides.
- Use additional strip plates if possible for added visibility.
- Category 34 plates cannot be used on a vehicle/combination that is less than 7.5m in length.

5. If rear of the vehicle cannot support Category 33 and 34 plates:

- Use the Category 161 strip plate as space permits.
- Use them in conjunction with either 31L or 33L plates if required.

6. If a single 161 plate cannot be used:

- Use the correct combination of 81 and 41 plates.
- Use these in conjunction with 31L and 33L plates.

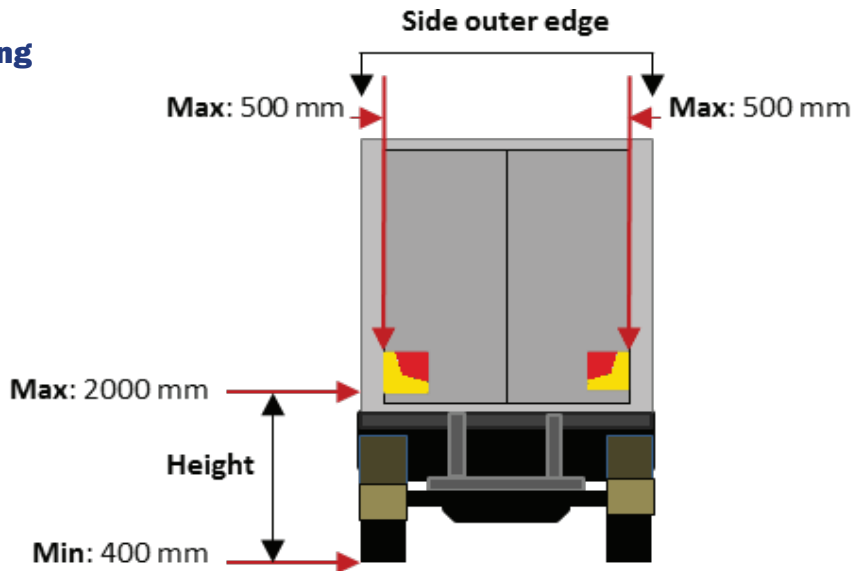
7. If vehicle is a prime mover, lead semitrailer or converter dolly:

- Use 615 plates only.
- Use in conjunction with 31L and 33L plates if required.

Refer to Pages 8 – 11 for Installation Diagrams.

Rear Marker Installation Instructions

Figure 1. Positioning Dimensions



REMEMBER

- Only use rear marking plates made with approved retroreflective material.
- Keep the plates clean and in good condition.
- Plates must not be obscured by the other parts of the vehicle, load or tarpaulins.
- For more detailed information refer to: **VSB12 National Code of Practice Rear Marking Plates**

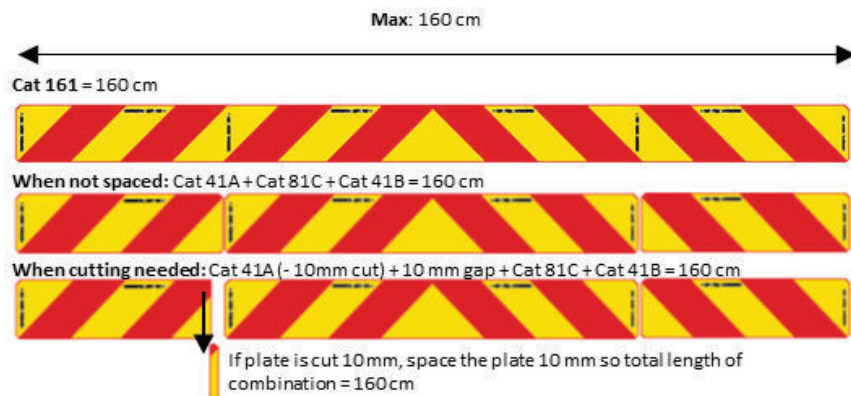
Cutting:

Cutting or making holes (for example by drilling or punching) is not permitted. Strip plates may be cut in order for them to be fitted to the vehicle.

Recommended:

Avoid cutting strip plates to suit a restricted space or to span fixed and moveable sections of the vehicle. If cutting is unavoidable, only remove a strip of material not wider than 10mm, and fit so that overall dimensions of the plates are maintained, as per below.

Figure 2. Cutting



Rear Marker Installation Instructions

Figure 3. Road tank vehicle with Category 33 plates

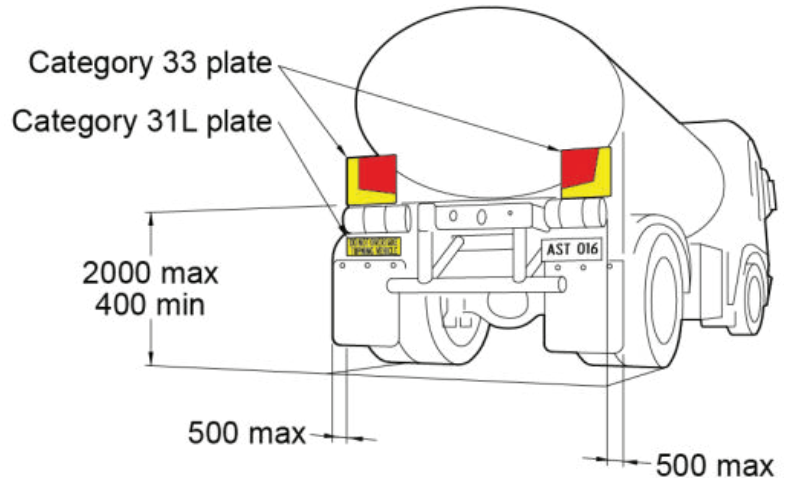


Figure 4. Semitrailer/flat deck vehicle with Category 33 and 31L plates

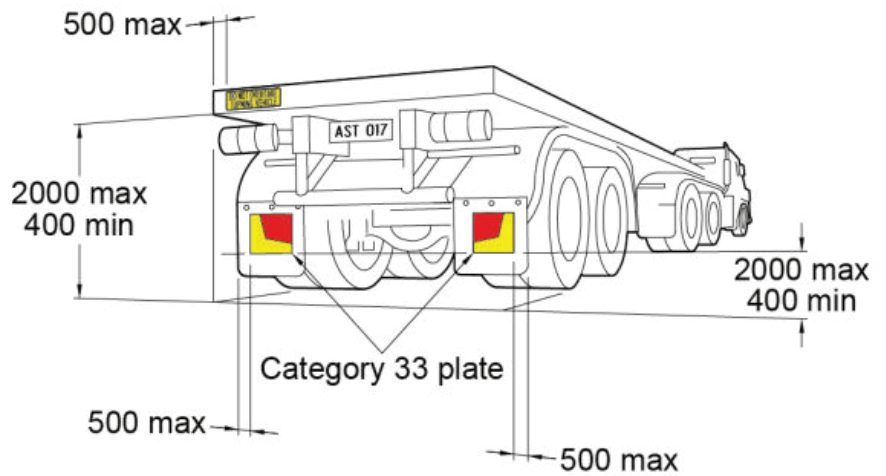
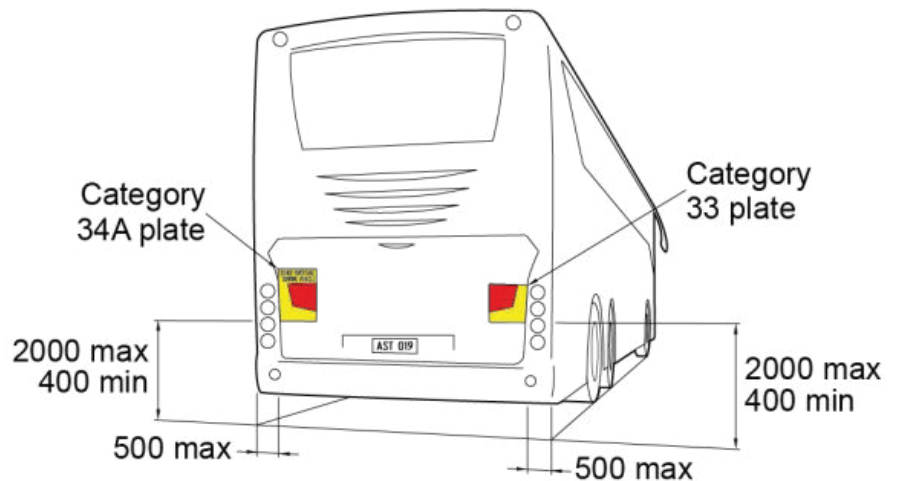


Figure 5. Omnibus with Category 34A and 33 plates



Rear Marker Installation Instructions

Figure 6. Rigid truck with Category 34A and 33 plates

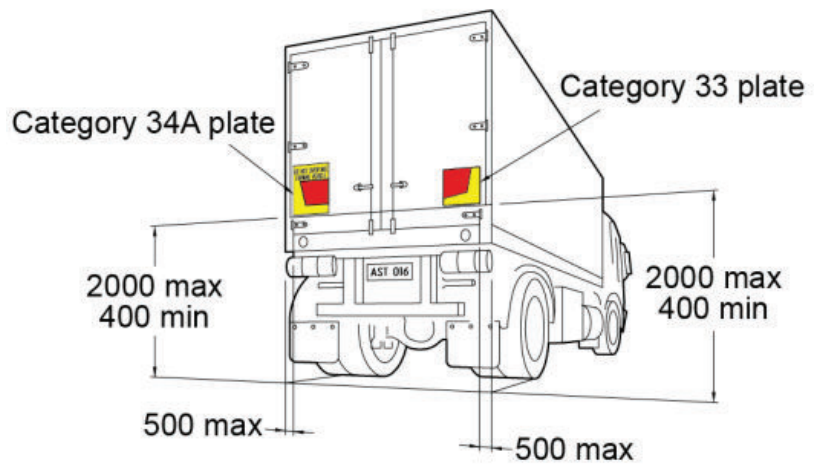
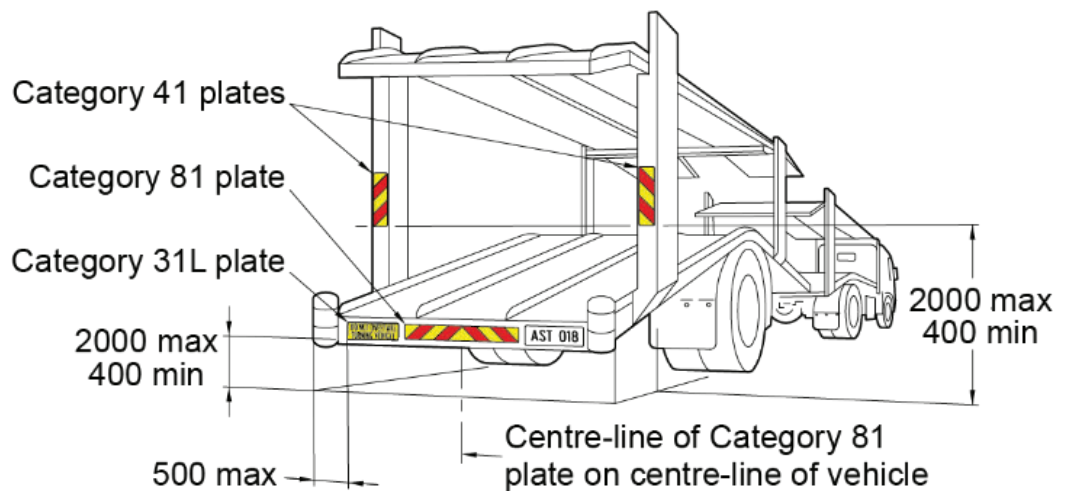


Figure 7. Vehicle carrier with 31L and vertical and horizontal strip plates





TRUCK & TRAILER PARTS®

TRUSTED. RELIABLE. PROVEN.

Rear Marker Installation Instructions

Figure 8. Log trailer/jinker with 31L and 161 strip plate

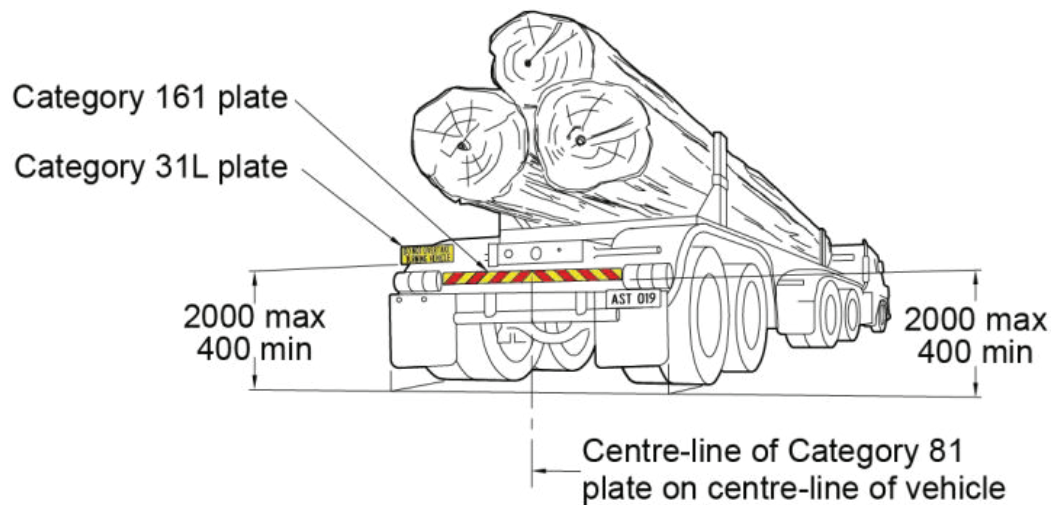
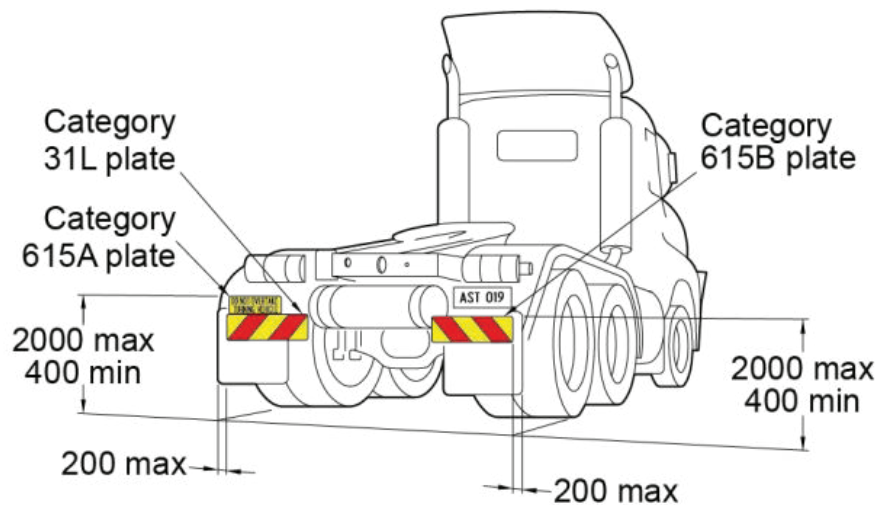


Figure 9. Prime mover with 615A and 615B strips and 31L plate



**FREECALL* 1800 (TRPART) 877 278 NOW
TO SPEAK TO YOUR LOCAL DEALER**



For further information and full warranty details visit our website

www.trpparts.com.au

Copyright ©2024 property of PACCAR Australia. Unauthorised reproduction in whole or part without our express written permission is strictly prohibited. Information and diagrams are provided for guidance only. PACCAR Australia reserves the right to alter product offerings and specifications at any time, without notice. PACCAR Australia makes every effort to ensure accuracy of all information but is not liable or responsible for any editorial, photographic or typographic errors. Product designs vary across different vehicle makes and models, and installed components should be identified by part number before attempting repair or replacement. Products should only be replaced by a suitably trained and qualified technician/tradesperson.

* Calls from Australian landlines are generally free of charge whilst calls from mobile phones are typically charged based on the rate determined by the caller's mobile service provider. Please check with your mobile service provider for call rates.